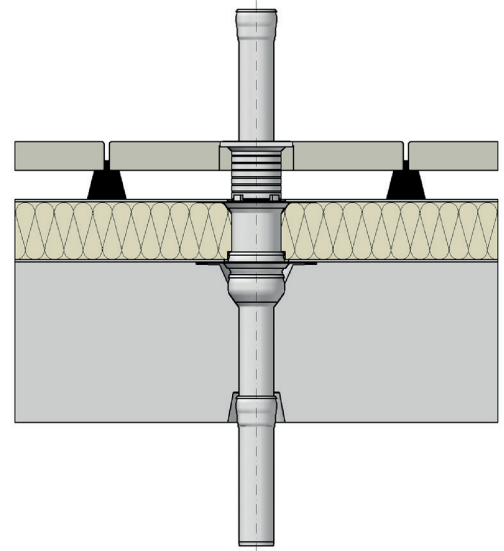


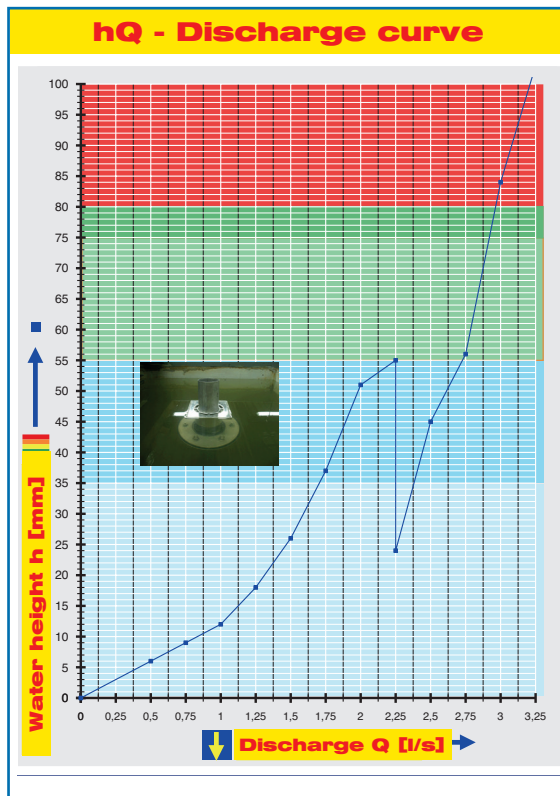
**Specification Sheet 1232**

**Balcony Drainage  
Balcony drain Series V-KL**

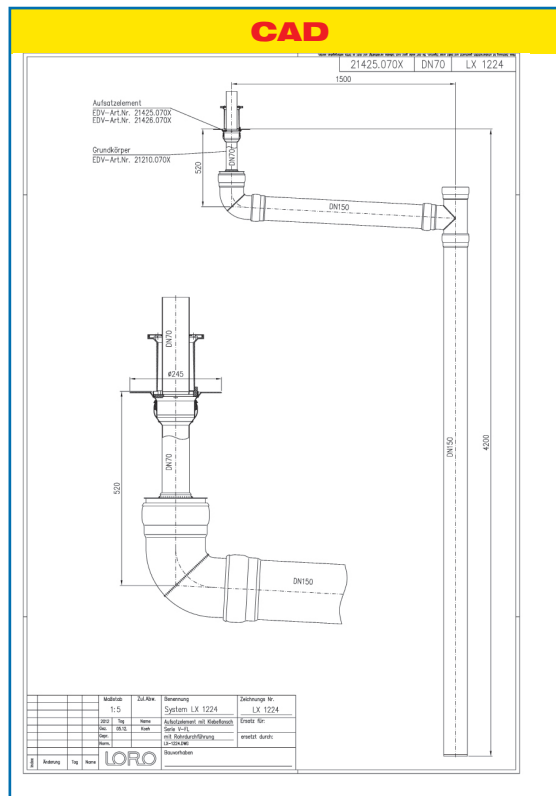
<b>Main drainage</b>	
<b>Gravity flow</b>	
<b>Silent</b>	
<b>Discharge:</b>	<b>1.7 l/s</b>
<b>Water height:</b>	<b>35 mm</b>
<b>Roof penetration:</b>	<b>-</b>
<b>Diameter:</b>	<b>DN 70</b>
<b>LX-Number:</b>	<b>LX 1232</b>
<b>Weir height:</b>	<b>0 mm</b>
<b>Drain:</b>	<b>ventilated</b>
<b>Downpipe:</b>	<b>ventilated</b>
<b>Downpipe height:</b>	<b>2.75 m</b>
<b>Drainage:</b>	<b>into ground pipe</b>



**LX 1232 Piece list**  
Please choose set up elements and extension cartridge on page 2!



**System power**

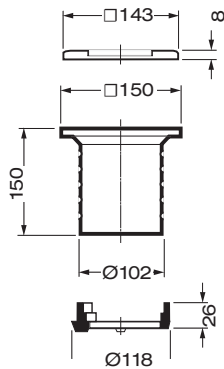


**System shape**

<b>Water height</b>	mm	10	15	20	25	30	35	40	45	50	55	60	65	70	75	
<b>Discharge</b>	l/s	0,80	1,15	1,3	1,45	1,6	1,70	1,75	1,85	2,0	2,25	2,75	2,8	2,8	2,85	
		<b>Silent</b>														

**Please choose suitable set up elements and extension unit!**

**DN 70**

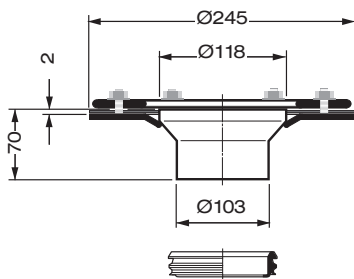


#### Strainer unit

consisting of: strainer quadratic, **with** pipe penetration, strainer support 150 mm x 150 mm, height-adjustable, drainage ring

Art.-No. 20423.070X

Weight: 0.44 kg



#### one-piece version

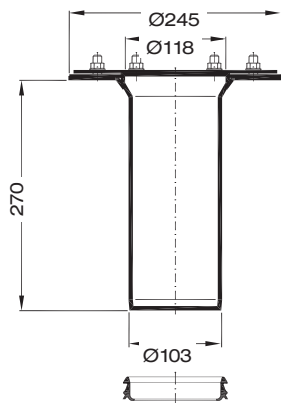
##### LX1232-12X

#### Set up element, Series V-KL

with clamping flange, for sealing with sealing sheets, made of stainless steel

Art.-No. 20440.070X

Weight: 1.7 kg



#### two-piece version

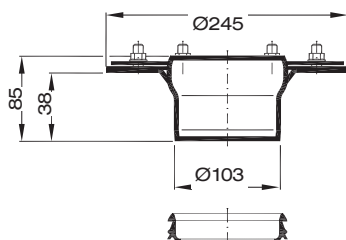
##### LX1232-13X

#### Extension unit

for thermally insulated balconies, **Series V-KL** with clamping flange, or sealing with sealing sheets, consisting of: extension unit with clamping flange, sealing element DN 100

Art.-No. 20445.070X

Weight: 2.6 kg



#### Set up element with socket

for thermally insulated balconies, **Series V-KL** with clamping flange, for sealing with liquid plastic

Art.-No. 20446.070X

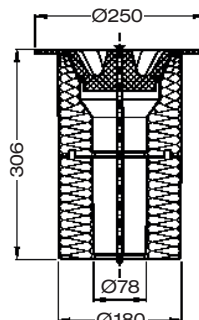
Weight: 2.0 kg

#### Base unit

Art.-No. 21400.070X  
consisting of:



- 1 **Formwork mushroom**  
Art.-No. 18110.070X
- 2 **Base body**  
Art.-No. 21210.070X
- 3 **Formwork dome**  
Art.-No. 18100.070X



#### Thermal insulation base unit

consisting of:  
formwork mushroom, thermal insulation body and fastening screw

Art.-No. 21401.070X

Weight: 0.7 kg

Attention:

The base body 21210.070X has to be ordered separately!